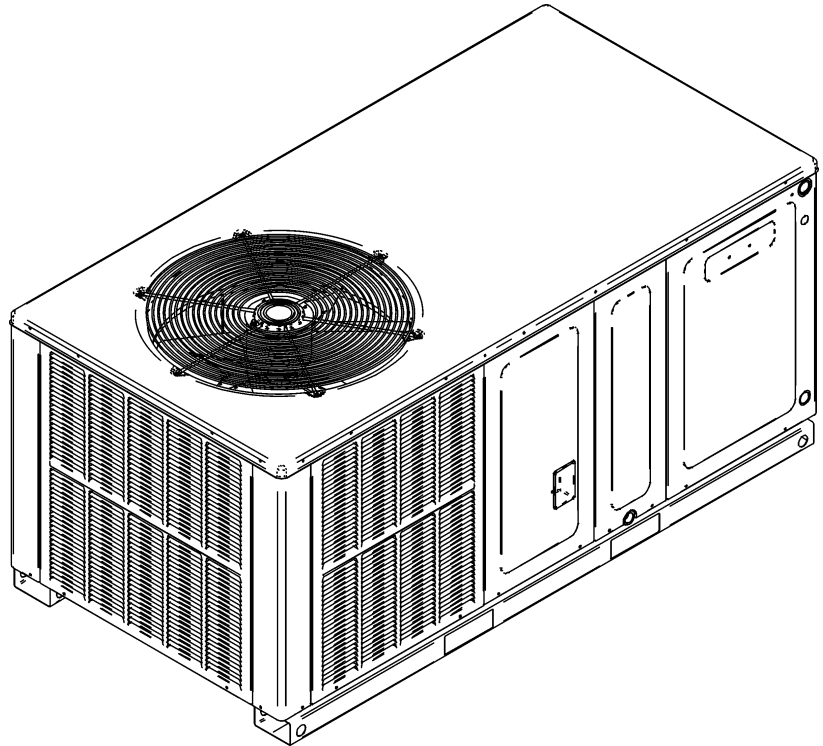


GPH13 "H" Series Residential Package Heat Pump

GPH1324H41AB
GPH1324H41AC
GPH1324H41BA
GPH1324H41CA
GPH1324H41CB
GPH1330H41AB
GPH1330H41AC
GPH1330H41BA
GPH1330H41CA
GPH1330H41CB
GPH1336H41AB
GPH1336H41AC
GPH1336H41BA
GPH1336H41CA
GPH1336H41CB
GPH1342H41AB
GPH1342H41AC
GPH1342H41BA
GPH1342H41CA
GPH1342H41CB
GPH1348H41BB
GPH1348H41BC
GPH1348H41CA
GPH1348H41DA
GPH1348H41DB
GPH1360H41BB
GPH1360H41BC
GPH1360H41CA
GPH1360H41DA
GPH1360H41DB



This manual is to be used by qualified technicians only.

This manual replaces RP-630D.

© 2010,2012,2014-2015 Goodman Company, L.P. ♦ 5151 San Felipe St., Suite 500 ♦ Houston, TX 77056

Important Information

Index

Functional Parts List	3
Illustration and Parts	4 - 13

Views shown are for parts illustrations only, not servicing procedures

Text Codes:

AR - As Required

NA - Not Available

NS - Not Shown

00000000 - See Note

QTY - Quantity Example (QTY 3) (If Quantity not shown, Quantity = 1)

M - Model Example (M1) (If M Code not shown, then part is used on all Models)

Expanded Model Nomenclature:

Example M1 - Model#1 M2 - Model#2 M3 - Model#3

Goodman Company, L.P. is not responsible for personal injury or property damage resulting from improper service. Review all service information before beginning repairs.

Warranty service must be performed by an authorized technician, using authorized factory parts. If service is required after the warranty expires, Goodman Company, L.P. also recommends contacting an authorized technician and using authorized factory parts.

Goodman Company, L.P. reserves the right to discontinue, or change at any time, specifications or designs without notice or without incurring obligations.

For assistance within the U.S.A. contact:

Consumer Affairs Department

Goodman Company, L.P.

7401 Security Way

Houston, Texas 77040

877-254-4729-Telephone

713-863-2382-Facsimile

For assistance outside the U.S.A. contact:

International Division

Goodman Company, L.P.

7401 Security Way

Houston, Texas 77040

713-861-2500-Telephone

713-863-2382-Facsimile

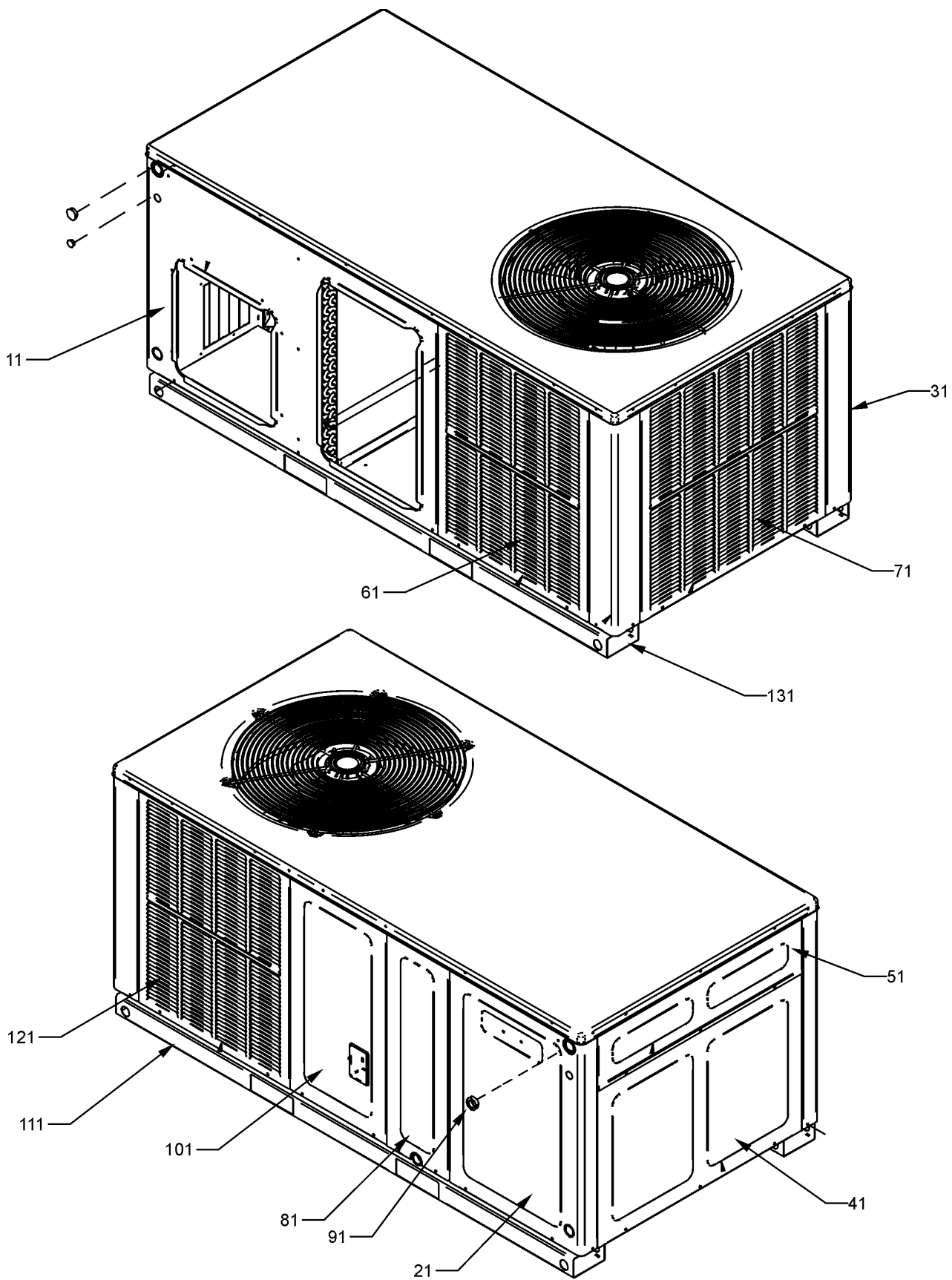
Functional Parts

Part

No: Description:

Part No:	Description:	Part No:	Description:																														
0130M00014	240 VOLT RELAY (M1, M2, M3, M4, M5, M6, M7, M8, M9, M10, M11, M12, M13, M14, M15, M16, M17, M18, M19, M20, M21, M22, M23, M24, M25)	PCBFM103	ELECTRONIC BLOWER TIME DELAY (M1, M2, M3, M4, M5, M6, M7, M8, M9, M10, M11, M12, M13, M14, M15, M16, M17, M18, M19, M20, M21, M22, M23, M24, M25)																														
B1226206	ACCUMULATOR (M1, M2, M3, M4, M5, M6, M7, M8, M9, M10)	0150G00004	FAN BLADE (M16, M17, M18, M19, M20, M21, M22, M23, M24, M25, M26, M27, M28, M29, M30)																														
B1226207	ACCUMULATOR .875 (M11, M12, M13, M14, M15, M16, M17, M18, M19, M20, M21, M22, M23, M24, M25, M26, M27, M28, M29, M30)	0150G00005	FAN BLADE (M1, M2, M3, M4, M5, M6, M7, M8, M9, M10)																														
0131M00425	BLOWER MOTOR (M28, M29, M30)	B1086765	FAN BLADE TYPE 3 (M11, M12, M13, M14, M15)																														
0131M00010P	BLOWER MOTOR 1/2 HP, 3 SP, 8 PL (M16, M17, M18, M19, M20, M21, M22, M23, M24, M25)	0130M00075	LOW PRESSURE SWITCH																														
11091202	BLOWER MOTOR 1/3 HP, 3 SP, 6 PL (M6, M7, M8, M9, M10, M11, M12, M13, M14, M15)	0151M00019	REVERSING VALVE (M1, M2, M3, M6, M7, M8)																														
11091207	BLOWER MOTOR 1/4 HP, 3 SP, 8 PL (M1, M2, M3, M4, M5)	0151R00071	REVERSING VALVE (M11, M12, M13, M14, M15, M16, M17, M18, M19, M20, M21, M22, M23, M24, M25, M26, M27, M28, M29, M30)																														
0131M00529	BLOWER MOTOR 3/4 HP PROGRAMMED (M26, M27)	0151R00069	REVERSING VALVE (M4, M5, M9, M10)																														
B1368016	BLOWER WHEEL 10 X 8 (M16, M17, M18, M19, M20, M21, M22, M23, M24, M25)	B1225022	SOLENOID COIL																														
B1368054	BLOWER WHEEL 11 X 8 (M26, M27, M28, M29, M30)	0130M00138	TRANSFORMER 208/230, 24V																														
0150M00000P	BLOWER WHEEL 9 X 6 (M6, M7, M8, M9)	Expanded Model Nomenclature																															
B1368042	BLOWER WHEEL 9 X 6 (M1, M2, M3, M4, M5)	<table border="1"> <tbody> <tr><td>M1 - GPH1324H41AB</td></tr> <tr><td>M2 - GPH1324H41AC</td></tr> <tr><td>M3 - GPH1324H41BA</td></tr> <tr><td>M4 - GPH1324H41CA</td></tr> <tr><td>M5 - GPH1324H41CB</td></tr> <tr><td>M6 - GPH1330H41AB</td></tr> <tr><td>M7 - GPH1330H41AC</td></tr> <tr><td>M8 - GPH1330H41BA</td></tr> <tr><td>M9 - GPH1330H41CA</td></tr> <tr><td>M10 - GPH1330H41CB</td></tr> <tr><td>M11 - GPH1336H41AB</td></tr> <tr><td>M12 - GPH1336H41AC</td></tr> <tr><td>M13 - GPH1336H41BA</td></tr> <tr><td>M14 - GPH1336H41CA</td></tr> <tr><td>M15 - GPH1336H41CB</td></tr> <tr><td>M16 - GPH1342H41AB</td></tr> <tr><td>M17 - GPH1342H41AC</td></tr> <tr><td>M18 - GPH1342H41BA</td></tr> <tr><td>M19 - GPH1342H41CA</td></tr> <tr><td>M20 - GPH1342H41CB</td></tr> <tr><td>M21 - GPH1348H41BB</td></tr> <tr><td>M22 - GPH1348H41BC</td></tr> <tr><td>M23 - GPH1348H41CA</td></tr> <tr><td>M24 - GPH1348H41DA</td></tr> <tr><td>M25 - GPH1348H41DB</td></tr> <tr><td>M26 - GPH1360H41BB</td></tr> <tr><td>M27 - GPH1360H41BC</td></tr> <tr><td>M28 - GPH1360H41CA</td></tr> <tr><td>M29 - GPH1360H41DA</td></tr> <tr><td>M30 - GPH1360H41DB</td></tr> </tbody> </table>		M1 - GPH1324H41AB	M2 - GPH1324H41AC	M3 - GPH1324H41BA	M4 - GPH1324H41CA	M5 - GPH1324H41CB	M6 - GPH1330H41AB	M7 - GPH1330H41AC	M8 - GPH1330H41BA	M9 - GPH1330H41CA	M10 - GPH1330H41CB	M11 - GPH1336H41AB	M12 - GPH1336H41AC	M13 - GPH1336H41BA	M14 - GPH1336H41CA	M15 - GPH1336H41CB	M16 - GPH1342H41AB	M17 - GPH1342H41AC	M18 - GPH1342H41BA	M19 - GPH1342H41CA	M20 - GPH1342H41CB	M21 - GPH1348H41BB	M22 - GPH1348H41BC	M23 - GPH1348H41CA	M24 - GPH1348H41DA	M25 - GPH1348H41DB	M26 - GPH1360H41BB	M27 - GPH1360H41BC	M28 - GPH1360H41CA	M29 - GPH1360H41DA	M30 - GPH1360H41DB
M1 - GPH1324H41AB																																	
M2 - GPH1324H41AC																																	
M3 - GPH1324H41BA																																	
M4 - GPH1324H41CA																																	
M5 - GPH1324H41CB																																	
M6 - GPH1330H41AB																																	
M7 - GPH1330H41AC																																	
M8 - GPH1330H41BA																																	
M9 - GPH1330H41CA																																	
M10 - GPH1330H41CB																																	
M11 - GPH1336H41AB																																	
M12 - GPH1336H41AC																																	
M13 - GPH1336H41BA																																	
M14 - GPH1336H41CA																																	
M15 - GPH1336H41CB																																	
M16 - GPH1342H41AB																																	
M17 - GPH1342H41AC																																	
M18 - GPH1342H41BA																																	
M19 - GPH1342H41CA																																	
M20 - GPH1342H41CB																																	
M21 - GPH1348H41BB																																	
M22 - GPH1348H41BC																																	
M23 - GPH1348H41CA																																	
M24 - GPH1348H41DA																																	
M25 - GPH1348H41DB																																	
M26 - GPH1360H41BB																																	
M27 - GPH1360H41BC																																	
M28 - GPH1360H41CA																																	
M29 - GPH1360H41DA																																	
M30 - GPH1360H41DB																																	
B1368036	BLOWER WHEEL 9 X 8 (M10, M11, M12, M13, M14, M15)																																
CAP100000370LA	CAPACITOR 10/370V (M1, M2, M3, M4, M5, M6, M7, M8, M9, M10, M11, M12, M13, M14, M15)																																
CAP150000370LA	CAPACITOR 15/370V (M16, M17, M18, M19, M20, M21, M22, M23, M24, M25)																																
CAP050400440CT	CAPACITOR 5/40/440V/DUAL RD (M1, M2, M3, M4, M5, M6, M7, M8, M9, M10)																																
CAP050450440CT	CAPACITOR 5/45/440V/DUAL RD (M11, M12, M13, M14, M15, M16, M17, M18, M19, M20, M21, M22, M23, M24, M25)																																
CAP050700440CT	CAPACITOR 5/70/440V/DUAL RD (M26, M27, M28, M29, M30)																																
ZP21K5EPFV130	COMPRESSOR 21300, 208/230/60/1 (M1, M2, M3, M4, M5)																																
ZP25K5EPFV130	COMPRESSOR 25200, 208/230/60/1 (M6, M7, M8, M9, M10)																																
ZP31K5EPFV130	COMPRESSOR 31100, 208/230/60/1 (M11, M12, M13, M14, M15)																																
ZP34K5EPFV130	COMPRESSOR 34500, 208/230/60/1 (M16, M17, M18, M19, M20)																																
ZP39K5EPFV130	COMPRESSOR 39000, 208/230/60/1 (M21, M22, M23, M24, M25)																																
ZP51K5EPFV130	COMPRESSOR 51000, 208/230/60/1 (M26, M27, M28, M29, M30)																																
0131M00061	COND MOTOR 1/4 HP, 1 SP, 8 PL (M11, M12, M13, M14, M15)																																
0131M00429	COND MOTOR 1/4 HP, 1 SP, 6 PL (M16, M17, M18, M19, M20, M21, M22, M23, M24, M25, M26, M27, M28, M29, M30)																																
0131M00009P	COND MOTOR 1/6 HP, 1 SP, 8 PL (M1, M2, M3, M4, M5, M6, M7, M8, M9, M10)																																
CONT1P025024V	CONTACTOR 25 AMP, 1P, 24V (M1, M2, M3, M4, M5, M6, M7, M8, M9, M10, M11, M12, M13, M14, M15)																																
CONT1P030024V	CONTACTOR 30 AMP, 1P, 24V (M16, M17, M18, M19, M20, M21, M22, M23, M24, M25)																																
CONT2P040024V	CONTACTOR 40 AMP, 2P, 24V (M26, M27, M28, M29, M30)																																
0130M00101	CONTROL, DEFROST (M16, M17, M18, M19, M20)																																
0130M00099	CONTROL, DEFROST (M1, M2, M3, M4, M5, M6, M7, M8, M9, M10, M11, M12, M13, M14, M15, M21, M22, M23, M24, M25, M26, M27, M28, M29, M30)																																
0130M00074	CUT-OUT SWITCH, HIGH PRESSURE																																
0130M00075	CUT-OUT SWITCH, LOW PRESSURE																																
PCBDM133	DEFROST CONTROL BOARD																																

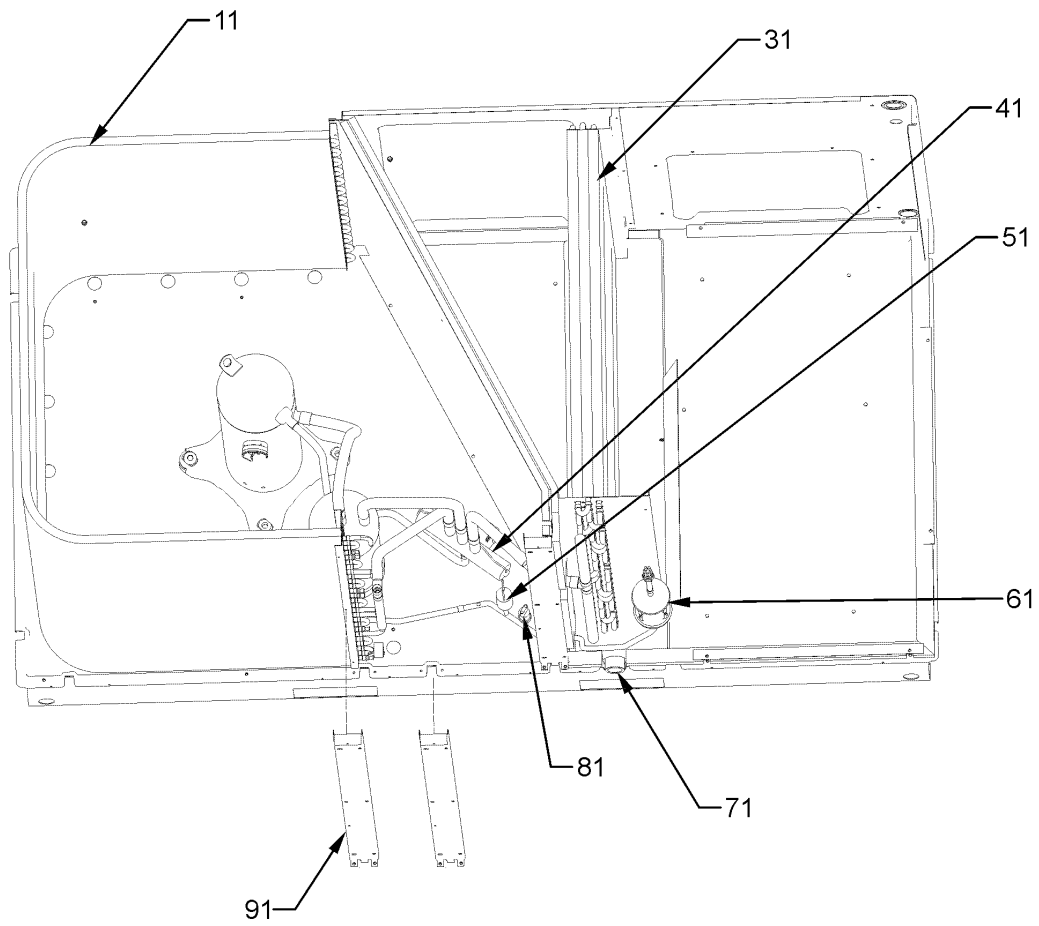
Cabinet Assembly



Cabinet Assembly

Ref. Part No: No:	Description:	Ref. Part No: No:	Description:
Image 1:		Image 1:	
11	0121G00050PDG DUCT PANEL 27.5" (M1, M2, M3, M4, M5, M6, M7, M8, M9, M10)	121	0121G00091PDG LOUVERED PANEL 5 BANK 36" (M21, M22, M23, M24, M25, M26, M27, M28, M29, M30)
11	0121G00051PDG DUCT PANEL 32.5" (M11, M12, M13, M14, M15, M16, M17, M18, M19, M20)	131	0121G00044PRF BASEPAN RAIL (QTY 2)
11	0121G00084PDG DUCT PANEL 36" (M21, M22, M23, M24, M25, M26, M27, M28, M29, M30)	Expanded Model Nomenclature	
21	0121G00521DG CORNER PANEL 27.5" (M1, M2, M3, M4, M5, M6, M7, M8, M9, M10)	<div style="border: 1px solid black; padding: 5px;"> M1 - GPH1324H41AB M2 - GPH1324H41AC M3 - GPH1324H41BA M4 - GPH1324H41CA M5 - GPH1324H41CB M6 - GPH1330H41AB M7 - GPH1330H41AC M8 - GPH1330H41BA M9 - GPH1330H41CA M10 - GPH1330H41CB M11 - GPH1336H41AB M12 - GPH1336H41AC M13 - GPH1336H41BA M14 - GPH1336H41CA M15 - GPH1336H41CB M16 - GPH1342H41AB M17 - GPH1342H41AC M18 - GPH1342H41BA M19 - GPH1342H41CA M20 - GPH1342H41CB M21 - GPH1348H41BB M22 - GPH1348H41BC M23 - GPH1348H41CA M24 - GPH1348H41DA M25 - GPH1348H41DB M26 - GPH1360H41BB M27 - GPH1360H41BC M28 - GPH1360H41CA M29 - GPH1360H41DA M30 - GPH1360H41DB </div>	
21	0121G00522DG CORNER PANEL 32.5" (M11, M12, M13, M14, M15, M16, M17, M18, M19, M20)		
21	0121G00523DG CORNER PANEL 36" (M21, M22, M23, M24, M25, M26, M27, M28, M29, M30)		
31	0121G00047PDG CORNER POST 27.5" (M1, M2, M3, M4, M5, M6, M7, M8, M9, M10)		
31	0121G00048PDG CORNER POST 32.5" (M11, M12, M13, M14, M15, M16, M17, M18, M19, M20)		
31	0121G00082PDG CORNER POST 36" (M21, M22, M23, M24, M25, M26, M27, M28, M29, M30)		
41	0121G00271DG EXTERNAL BLOWER PANEL 27.5" (M1, M2, M3, M4, M5, M6, M7, M8, M9, M10)		
41	0121G00272DG EXTERNAL BLOWER PANEL 32.5" (M11, M12, M13, M14, M15, M16, M17, M18, M19, M20)		
41	0121G00273DG EXTERNAL BLOWER PANEL 36" (M21, M22, M23, M24, M25, M26, M27, M28, M29, M30)		
51	0121G00276DG EXTERNAL CONTROL BOX PANEL		
61	0121G00069PDG LOUVERED PANEL 4 BANK 27.5" (M1, M2, M3, M4, M5, M6, M7, M8, M9, M10)		
61	0121G00070PDG LOUVERED PANEL 4 BANK 32.5" (M11, M12, M13, M14, M15, M16, M17, M18, M19, M20)		
61	0121G00090PDG LOUVERED PANEL 4 BANK 36" (M21, M22, M23, M24, M25, M26, M27, M28, M29, M30)		
71	0121G00072PDG LOUVERED PANEL 5 BANK 27.5" (M1, M2, M3, M4, M5, M6, M7, M8, M9, M10)		
71	0121G00073PDG LOUVERED PANEL 5 BANK 32.5" (M11, M12, M13, M14, M15, M16, M17, M18, M19, M20)		
71	0121G00091PDG LOUVERED PANEL 5 BANK 36" (M21, M22, M23, M24, M25, M26, M27, M28, M29, M30)		
81	0121G00065PDG EVAP PANEL 8.75" X 27.5" (M1, M2, M3, M4, M5, M6, M7, M8, M9, M10)		
81	0121G00066PDG EVAP PANEL 8.75" X 32.5" (M11, M12, M13, M14, M15, M16, M17, M18, M19, M20)		
81	0121G00089PDG EVAP PANEL, 36" EXT EVAP RMV (M21, M22, M23, M24, M25, M26, M27, M28, M29, M30)		
91	B1392011 GROMMET / HS .62 - .45		
101	0121G00062PDG COMPRESSOR PANEL 13.68" X 27.50" (M1, M2, M3, M4, M5, M6, M7, M8, M9, M10)		
101	0121G00060PDG COMPRESSOR PANEL 8.75" X 32.50" (M11, M12, M13, M14, M15, M16, M17, M18, M19, M20)		
101	0121G00087PDG COMPRESSOR PANEL 8.75" X 36" (M21, M22, M23, M24, M25, M26, M27, M28, M29, M30)		
111	0121G00046P INSULATED ASSY, BASEPAN		
121	0121G00069PDG LOUVERED PANEL 4 BANK 27.5" (M1, M2, M3, M4, M5, M6, M7, M8, M9, M10)		
121	0121G00073PDG LOUVERED PANEL 5 BANK 32.5" (M11, M12, M13, M14, M15, M16, M17, M18, M19, M20)		

Chassis Assembly



Chassis Assembly

Ref. Part No: No:	Description:	Ref. Part No: No:	Description:
<i>Image 1:</i>		Expanded Model Nomenclature	
11	0201G00119 TUBING ASSY, COND COIL (M26, M27, M28)	M1	- GPH1324H41AB
11	0201G00120 TUBING ASSY, COND COIL (M21, M22, M23)	M2	- GPH1324H41AC
11	0201G00123 TUBING ASSY, COND COIL (M16)	M3	- GPH1324H41BA
11	0201G00126 TUBING ASSY, COND COIL (M11)	M4	- GPH1324H41CA
11	0201G00130 TUBING ASSY, COND COIL (M6)	M5	- GPH1324H41CB
11	0201G00237 TUBING ASSY, COND COIL (M1)	M6	- GPH1330H41AB
11	0201G00279 TUBING ASSY, COND COIL (M4, M5, M9, M10)	M7	- GPH1330H41AC
11	0201G00283 TUBING ASSY, COND COIL (M29, M30)	M8	- GPH1330H41BA
11	0201G00285 TUBING ASSY, COND COIL (M17, M18)	M9	- GPH1330H41CA
11	0201G00286 TUBING ASSY, COND COIL (M12, M13)	M10	- GPH1330H41CB
11	0201G00287 TUBING ASSY, COND COIL (M7, M8)	M11	- GPH1336H41AB
11	0201G00291 TUBING ASSY, COND COIL (M2, M3)	M12	- GPH1336H41AC
11	0201G00293 TUBING ASSY, COND COIL (M14, M15)	M13	- GPH1336H41BA
11	0201G00294 TUBING ASSY, COND COIL (M19, M20)	M14	- GPH1336H41CA
11	0201G00297 TUBING ASSY, COND COIL (M24, M25)	M15	- GPH1336H41CB
31	0202G00257 TUBING ASSY, EVAP COIL (M26)	M16	- GPH1342H41AB
31	0202G00261 TUBING ASSY, EVAP COIL (M21)	M17	- GPH1342H41AC
31	0202G00266 TUBING ASSY, EVAP COIL (M16)	M18	- GPH1342H41BA
31	0202G00270 TUBING ASSY, EVAP COIL (M11)	M19	- GPH1342H41CA
31	0202G00271 TUBING ASSY, EVAP COIL (M12, M13)	M20	- GPH1342H41CB
31	0202G00272 TUBING ASSY, EVAP COIL (M6)	M21	- GPH1348H41BB
31	0202G00273 TUBING ASSY, EVAP COIL (M7, M8)	M22	- GPH1348H41BC
31	0202G00280 TUBING ASSY, EVAP COIL (M1)	M23	- GPH1348H41CA
31	0202G00281 TUBING ASSY, EVAP COIL (M2, M3)	M24	- GPH1348H41DA
31	0202G00302 TUBING ASSY, EVAP COIL (M27, M28)	M25	- GPH1348H41DB
31	0202G00305 TUBING ASSY, EVAP COIL (M22, M23)	M26	- GPH1360H41BB
31	0202G00307 TUBING ASSY, EVAP COIL (M17, M18)	M27	- GPH1360H41BC
31	0202G00481 TUBING ASSY, EVAP COIL (M4)	M28	- GPH1360H41CA
31	0202G00483 TUBING ASSY, EVAP COIL (M9)	M29	- GPH1360H41DA
31	0202G00516 TUBING ASSY, EVAP COIL (M14)	M30	- GPH1360H41DB
31	0202G00517 TUBING ASSY, EVAP COIL (M19)		
31	0202G00518 TUBING ASSY, EVAP COIL (M29)		
31	0202G00519 TUBING ASSY, EVAP COIL (M24)		
31	0202G00559 TUBING ASSY, EVAP COIL (M5)		
31	0202G00560 TUBING ASSY, EVAP COIL (M10)		
31	0202G00561 TUBING ASSY, EVAP COIL (M15)		
31	0202G00562 TUBING ASSY, EVAP COIL (M20)		
31	0202G00563 TUBING ASSY, EVAP COIL (M25)		
31	0202G00598 TUBING ASSY, EVAP COIL (M30)		
41	0151M00019 REVERSING VALVE (M1, M2, M3, M6, M7, M8)		
41	0151R00069 REVERSING VALVE (M4, M5, M9, M10)		
41	0151R00071 REVERSING VALVE (M11, M12, M13, M14, M15, M16, M17, M18, M19, M20, M21, M22, M23, M24, M25, M26, M27, M28, M29, M30)		
51	0130M00074 CUT-OUT SWITCH, HIGH PRESSURE		
61	B1219204 BI-FLOW FILTER DRIER		
71	0161G00000P DRIP PAN		
81	0130M00075 LOW PRESSURE SWITCH		
91	0121G00045P POST 27.5" (M1, M2, M3, M4, M5, M6, M7, M8, M9, M10)		
91	0121G00079P POST 32.5" (M11, M12, M13, M14, M15, M16, M17, M18, M19, M20)		
91	0121G00083P POST 36" (M21, M22, M23, M24, M25, M26, M27, M28, M29, M30)		

Chassis Assembly

Image 1

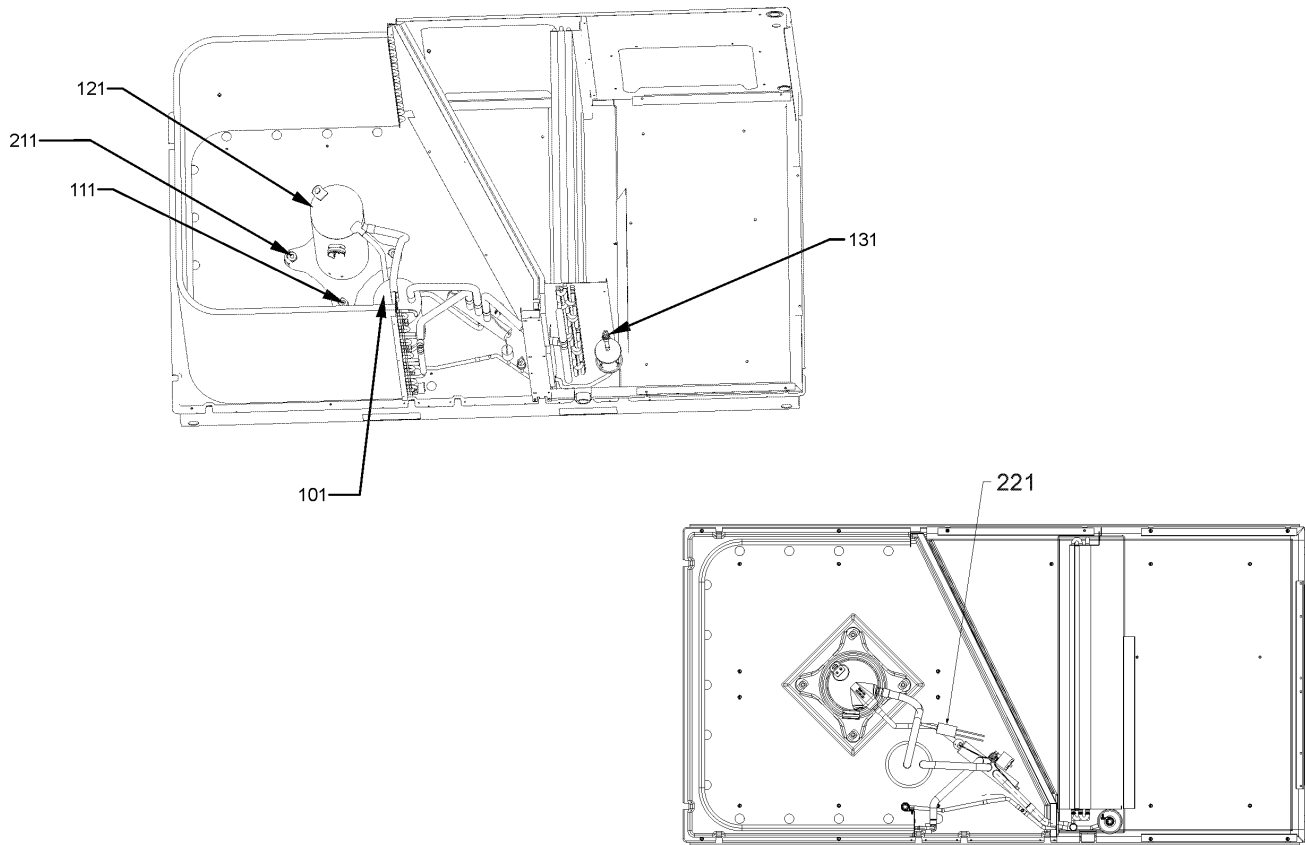


Image 2

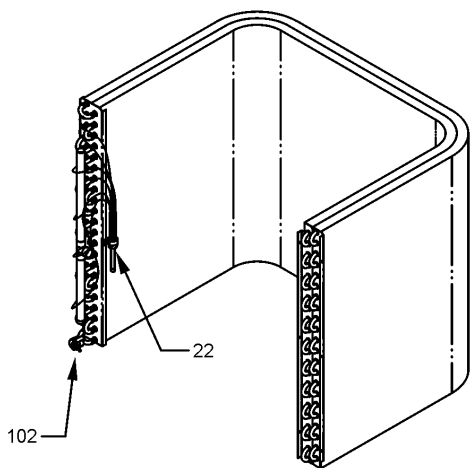
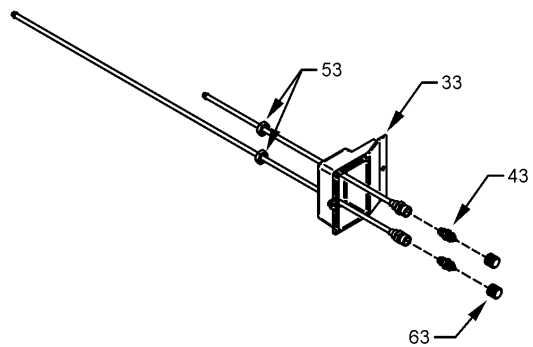


Image 3



Chassis Assembly

Ref. Part No: No:	Description:	Ref. Part No: No:	Description:																														
Image 1:		Image 2:																															
101 B1226206	ACCUMULATOR (M1, M2, M3, M4, M5, M6, M7, M8, M9, M10)	102 0130M00099	CONTROL, DEFROST (M1, M2, M3, M4, M5, M6, M7, M8, M9, M10, M11, M12, M13, M14, M15, M21, M22, M23, M24, M25, M26, M27, M28, M29, M30)																														
101 B1226207	ACCUMULATOR .875 (M11, M12, M13, M14, M15, M16, M17, M18, M19, M20, M21, M22, M23, M24, M25, M26, M27, M28, M29, M30)	102 0130M00101	CONTROL, DEFROST (M16, M17, M18, M19, M20)																														
111 B1339533	COMPRESSOR GROMMET (QTY 4)	Image 3:																															
121 ZP21K5EPFV130	COMPRESSOR 21300, 208/230/60/1 (M1, M2, M3, M4, M5)	33 0161G00008	ACCESS-FITTING BOX																														
121 ZP25K5EPFV130	COMPRESSOR 25200, 208/230/60/1 (M6, M7, M8, M9, M10)	43 B1373315	ACCESS FITTING (QTY 2)																														
121 ZP31K5EPFV130	COMPRESSOR 31100, 208/230/60/1 (M11, M12, M13, M14, M15)	53 0163G00000P	FASTEST FITTING NUT (QTY 2)																														
121 ZP34K5EPFV130	COMPRESSOR 34500, 208/230/60/1 (M16, M17, M18, M19, M20)	63 0163M00175	CAP WITH O-RING (QTY 2)																														
121 ZP39K5EPFV130	COMPRESSOR 39000, 208/230/60/1 (M21, M22, M23, M24, M25)	Expanded Model Nomenclature																															
121 ZP51K5EPFV130	COMPRESSOR 51000, 208/230/60/1 (M26, M27, M28, M29, M30)	<table border="1"> <tr><td>M1 - GPH1324H41AB</td></tr> <tr><td>M2 - GPH1324H41AC</td></tr> <tr><td>M3 - GPH1324H41BA</td></tr> <tr><td>M4 - GPH1324H41CA</td></tr> <tr><td>M5 - GPH1324H41CB</td></tr> <tr><td>M6 - GPH1330H41AB</td></tr> <tr><td>M7 - GPH1330H41AC</td></tr> <tr><td>M8 - GPH1330H41BA</td></tr> <tr><td>M9 - GPH1330H41CA</td></tr> <tr><td>M10 - GPH1330H41CB</td></tr> <tr><td>M11 - GPH1336H41AB</td></tr> <tr><td>M12 - GPH1336H41AC</td></tr> <tr><td>M13 - GPH1336H41BA</td></tr> <tr><td>M14 - GPH1336H41CA</td></tr> <tr><td>M15 - GPH1336H41CB</td></tr> <tr><td>M16 - GPH1342H41AB</td></tr> <tr><td>M17 - GPH1342H41AC</td></tr> <tr><td>M18 - GPH1342H41BA</td></tr> <tr><td>M19 - GPH1342H41CA</td></tr> <tr><td>M20 - GPH1342H41CB</td></tr> <tr><td>M21 - GPH1348H41BB</td></tr> <tr><td>M22 - GPH1348H41BC</td></tr> <tr><td>M23 - GPH1348H41CA</td></tr> <tr><td>M24 - GPH1348H41DA</td></tr> <tr><td>M25 - GPH1348H41DB</td></tr> <tr><td>M26 - GPH1360H41BB</td></tr> <tr><td>M27 - GPH1360H41BC</td></tr> <tr><td>M28 - GPH1360H41CA</td></tr> <tr><td>M29 - GPH1360H41DA</td></tr> <tr><td>M30 - GPH1360H41DB</td></tr> </table>		M1 - GPH1324H41AB	M2 - GPH1324H41AC	M3 - GPH1324H41BA	M4 - GPH1324H41CA	M5 - GPH1324H41CB	M6 - GPH1330H41AB	M7 - GPH1330H41AC	M8 - GPH1330H41BA	M9 - GPH1330H41CA	M10 - GPH1330H41CB	M11 - GPH1336H41AB	M12 - GPH1336H41AC	M13 - GPH1336H41BA	M14 - GPH1336H41CA	M15 - GPH1336H41CB	M16 - GPH1342H41AB	M17 - GPH1342H41AC	M18 - GPH1342H41BA	M19 - GPH1342H41CA	M20 - GPH1342H41CB	M21 - GPH1348H41BB	M22 - GPH1348H41BC	M23 - GPH1348H41CA	M24 - GPH1348H41DA	M25 - GPH1348H41DB	M26 - GPH1360H41BB	M27 - GPH1360H41BC	M28 - GPH1360H41CA	M29 - GPH1360H41DA	M30 - GPH1360H41DB
M1 - GPH1324H41AB																																	
M2 - GPH1324H41AC																																	
M3 - GPH1324H41BA																																	
M4 - GPH1324H41CA																																	
M5 - GPH1324H41CB																																	
M6 - GPH1330H41AB																																	
M7 - GPH1330H41AC																																	
M8 - GPH1330H41BA																																	
M9 - GPH1330H41CA																																	
M10 - GPH1330H41CB																																	
M11 - GPH1336H41AB																																	
M12 - GPH1336H41AC																																	
M13 - GPH1336H41BA																																	
M14 - GPH1336H41CA																																	
M15 - GPH1336H41CB																																	
M16 - GPH1342H41AB																																	
M17 - GPH1342H41AC																																	
M18 - GPH1342H41BA																																	
M19 - GPH1342H41CA																																	
M20 - GPH1342H41CB																																	
M21 - GPH1348H41BB																																	
M22 - GPH1348H41BC																																	
M23 - GPH1348H41CA																																	
M24 - GPH1348H41DA																																	
M25 - GPH1348H41DB																																	
M26 - GPH1360H41BB																																	
M27 - GPH1360H41BC																																	
M28 - GPH1360H41CA																																	
M29 - GPH1360H41DA																																	
M30 - GPH1360H41DB																																	
131 0162M00021P	FLOWRATOR .047 (M4, M5, M9, M10)																																
131 0162M00016P	FLOWRATOR .055 (M6, M7, M8)																																
131 0162M00098	FLOWRATOR .065 (M11, M12, M13, M14, M15, M16, M17, M18, M19, M20)																																
131 0162M00075	FLOWRATOR .067 [COND] (M21, M22, M23)																																
131 0162M00086	FLOWRATOR .072 [COND] (M29, M30)																																
131 0162M00094	FLOWRATOR .076 [COND] (M26, M27, M28)																																
131 0162M00150	FLOWRATOR COND (M1, M2, M3)																																
131 0162M00213	FLOWRATOR COND (M24, M25)																																
131 0162M00305	FLOWRATOR COND (M25)																																
211 M0221641	TF SHOULDER SCREW (QTY 4)																																
221 0130M00075	CUT-OUT SWITCH, LOW PRESSURE																																
NS 0159G00004	COMPRESSOR SCROLL HARNESS																																
NS 0159G00001	COMPRESSOR SOLENOID CABLE																																
NS 0121G00043P	EVAP DRIP SHIELD (M1, M2, M3, M6, M7, M8, M11, M12, M13, M16, M17, M18, M21, M22, M23, M26, M27, M28)																																
NS 0128G00052	EVAP DRIP SHIELD (M4, M5, M9, M10, M14, M15, M19, M20, M24, M25, M29, M30)																																
NS B1225022	SOLENOID COIL																																
Image 2:																																	
22 0162M00197	FLOWRATOR (M29)																																
22 0162M00218	FLOWRATOR (M19)																																
22 0162M00219	FLOWRATOR (M14)																																
22 0162M00220	FLOWRATOR (M4)																																
22 0162M00221	FLOWRATOR (M9)																																
22 0162M00077	FLOWRATOR .061 [COND] (M1, M2, M3)																																
22 0162M00061	FLOWRATOR .065 [EVAP] (M6, M7, M8)																																
22 0162M00053	FLOWRATOR .068 (M12, M13)																																
22 0162M00109	FLOWRATOR .072 (M17, M18)																																
22 0162M00019P	FLOWRATOR .076 [EVAP] (M21, M22, M23)																																
22 0162M00093	FLOWRATOR .088 (M27, M28)																																
22 0162M00191	FLOWRATOR EVAP (M24)																																
22 0162M00310	FLOWRATOR EVAP (M30)																																
22 0162M00311	FLOWRATOR EVAP (M20)																																
22 0162M00312	FLOWRATOR EVAP (M15)																																
22 0162M00313	FLOWRATOR EVAP (M5)																																
22 0162M00314	FLOWRATOR EVAP (M10)																																

Top Panel / Control Box Assembly

Image 1

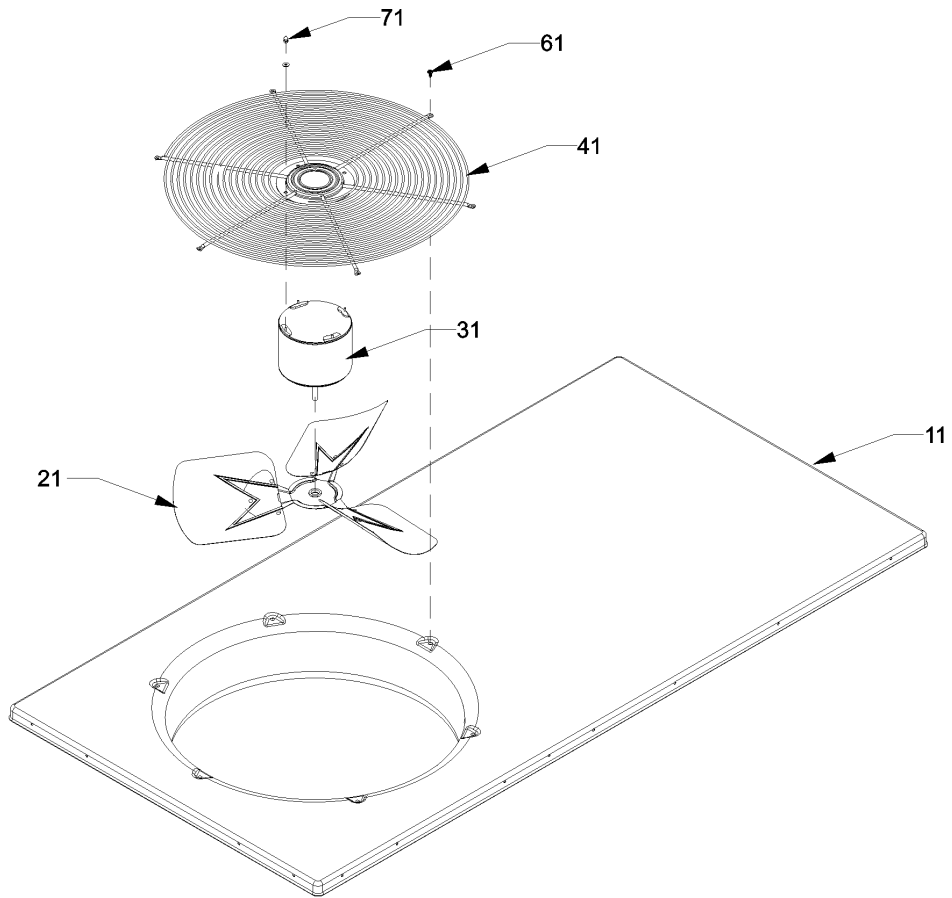
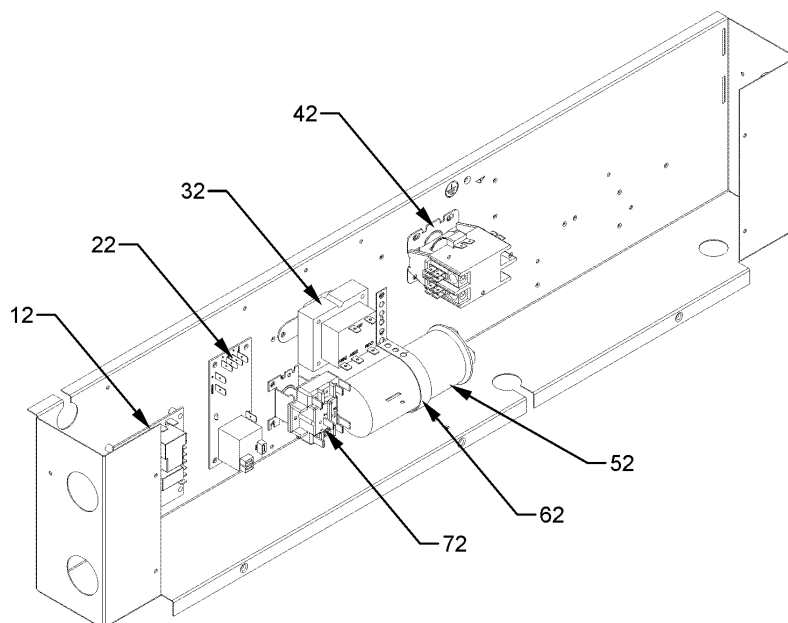


Image 2



Top Panel / Control Box Assembly

Ref. Part No: No:	Description:	Ref. Part No: No:	Description:
Image 1:		Expanded Model Nomenclature	
11	0274G00037 INSULATED ASSY, TOP PANEL	M1 - GPH1324H41AB	
21	0150G00004 FAN BLADE (M16, M17, M18, M19, M20, M21, M22, M23, M24, M25, M26, M27, M28, M29, M30)	M2 - GPH1324H41AC	
21	0150G00005 FAN BLADE (M1, M2, M3, M4, M5, M6, M7, M8, M9, M10)	M3 - GPH1324H41BA	
21	B1086765 FAN BLADE TYPE 3 (M11, M12, M13, M14, M15)	M4 - GPH1324H41CA	
31	0131M00061 COND MOTOR 1/4 HP, 1 SP, 8 PL (M11, M12, M13, M14, M15)	M5 - GPH1324H41CB	
31	0131M00429 COND MOTOR 1/4 HP, 1 SP, 6 PL (M16, M17, M18, M19, M20, M21, M22, M23, M24, M25, M26, M27, M28, M29, M30)	M6 - GPH1330H41AB	
31	0131M00009P COND MOTOR 1/6 HP, 1 SP, 8 PL (M1, M2, M3, M4, M5, M6, M7, M8, M9, M10)	M7 - GPH1330H41AC	
41	0152G00003 FAN GRILLE	M8 - GPH1330H41BA	
61	M0221817 SMALL SCREW (QTY 4)	M9 - GPH1330H41CA	
71	0163M00006P ACORN NUT 5/16 HEX BLACK (QTY 4)	M10 - GPH1330H41CB	
NS	17788000083F PVC CONDUIT 8.25"	M11 - GPH1336H41AB	
NS	0259G00003 WIRE HARNESS, ELECTRIC HEAT (M26, M27, M28, M29, M30)	M12 - GPH1336H41AC	
NS	0259G00005 WIRE HARNESS, ELECTRIC HEAT (M1, M2, M3, M4, M5, M6, M7, M8, M9, M10, M11, M12, M13, M14, M15, M16, M17, M18, M19, M20, M21, M22, M23, M24, M25)	M13 - GPH1336H41BA	
		M14 - GPH1336H41CA	
		M15 - GPH1336H41CB	
		M16 - GPH1342H41AB	
		M17 - GPH1342H41AC	
		M18 - GPH1342H41BA	
		M19 - GPH1342H41CA	
		M20 - GPH1342H41CB	
		M21 - GPH1348H41BB	
		M22 - GPH1348H41BC	
		M23 - GPH1348H41CA	
		M24 - GPH1348H41DA	
		M25 - GPH1348H41DB	
		M26 - GPH1360H41BB	
		M27 - GPH1360H41BC	
		M28 - GPH1360H41CA	
		M29 - GPH1360H41DA	
		M30 - GPH1360H41DB	
Image 2:			
12	PCBDM133 DEFROST CONTROL BOARD		
22	PCBFM103 ELECTRONIC BLOWER TIME DELAY (M1, M2, M3, M4, M5, M6, M7, M8, M9, M10, M11, M12, M13, M14, M15, M16, M17, M18, M19, M20, M21, M22, M23, M24, M25)		
32	0130M00138 TRANSFORMER 208/230, 24V		
42	CONT1P025024V CONTACTOR 25 AMP, 1P, 24V (M1, M2, M3, M4, M5, M6, M7, M8, M9, M10, M11, M12, M13, M14, M15)		
42	CONT1P030024V CONTACTOR 30 AMP, 1P, 24V (M16, M17, M18, M19, M20, M21, M22, M23, M24, M25)		
42	CONT2P040024V CONTACTOR 40 AMP, 2P, 24V (M26, M27, M28, M29, M30)		
52	CAP050400440CT CAPACITOR 5/40/440V/DUAL RD (M1, M2, M3, M4, M5, M6, M7, M8, M9, M10)		
52	CAP050450440CT CAPACITOR 5/45/440V/DUAL RD (M11, M12, M13, M14, M15, M16, M17, M18, M19, M20, M21, M22, M23, M24, M25)		
52	CAP050700440CT CAPACITOR 5/70/440V/DUAL RD (M26, M27, M28, M29, M30)		
62	20520901 CAPACITOR STRAP (M1, M2, M3, M4, M5, M6, M7, M8, M9, M10, M11, M12, M13, M14, M15, M16, M17, M18, M19, M20, M21, M22, M23, M24, M25)		
72	0130M00014 240 VOLT RELAY (M1, M2, M3, M4, M5, M6, M7, M8, M9, M10, M11, M12, M13, M14, M15, M16, M17, M18, M19, M20, M21, M22, M23, M24, M25)		

Blower Assembly

Image 1

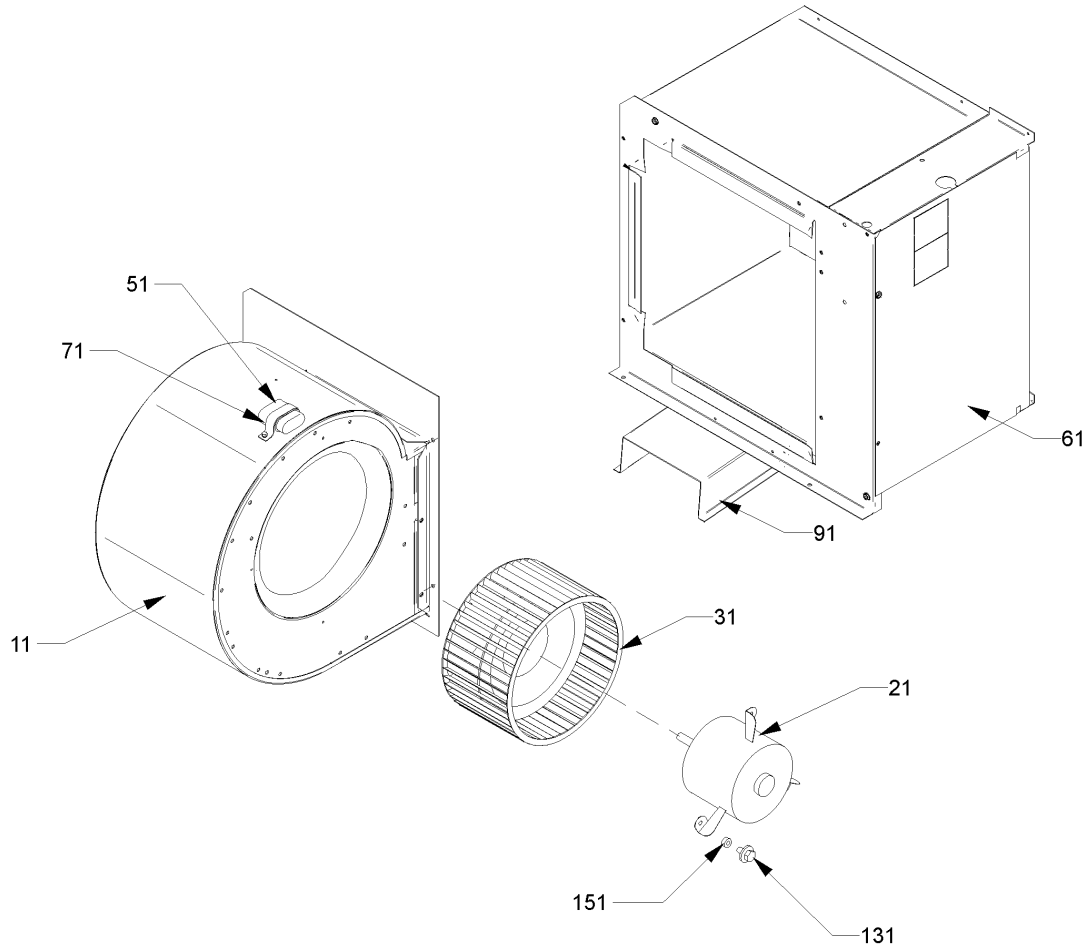
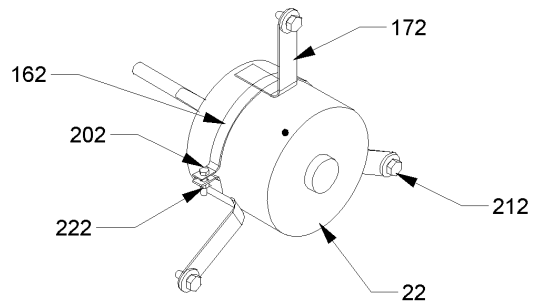


Image 2



Blower Assembly

Ref. Part No: No:	Description:	Ref. Part No: No:	Description:
Image 1:		Expanded Model Nomenclature	
11	10324248	BLOWER HOUSING 10 X 8 (M16, M17, M18, M19, M20, M21, M22, M23, M24, M25)	M1 - GPH1324H41AB
11	0271G00017	BLOWER HOUSING 11 X 8 (M26, M27, M28, M29, M30)	M2 - GPH1324H41AC
11	10324246	BLOWER HOUSING 9 X 6 (M1, M2, M3, M4, M5, M6, M7, M8, M9)	M3 - GPH1324H41BA
11	10324247	BLOWER HOUSING 9 X 8 (M10, M11, M12, M13, M14, M15)	M4 - GPH1324H41CA
21	0131M00010P	BLOWER MOTOR 1/2 HP, 3 SP, 8 PL (M16, M17, M18, M19, M20, M21, M22, M23, M24, M25)	M5 - GPH1324H41CB
21	11091202	BLOWER MOTOR 1/3 HP, 3 SP, 6 PL (M6, M7, M8, M9, M10, M11, M12, M13, M14, M15)	M6 - GPH1330H41AB
21	11091207	BLOWER MOTOR 1/4 HP, 3 SP, 8 PL (M1, M2, M3, M4, M5)	M7 - GPH1330H41AC
31	B1368016	BLOWER WHEEL 10 X 8 (M16, M17, M18, M19, M20, M21, M22, M23, M24, M25)	M8 - GPH1330H41BA
31	B1368054	BLOWER WHEEL 11 X 8 (M26, M27, M28, M29, M30)	M9 - GPH1330H41CA
31	0150M00000P	BLOWER WHEEL 9 X 6 (M6, M7, M8, M9)	M10 - GPH1330H41CB
31	B1368042	BLOWER WHEEL 9 X 6 (M1, M2, M3, M4, M5)	M11 - GPH1336H41AB
31	B1368036	BLOWER WHEEL 9 X 8 (M10, M11, M12, M13, M14, M15)	M12 - GPH1336H41AC
51	CAP100000370LA	CAPACITOR 10/370V (M1, M2, M3, M4, M5, M6, M7, M8, M9, M10, M11, M12, M13, M14, M15)	M13 - GPH1336H41BA
51	CAP150000370LA	CAPACITOR 15/370V (M16, M17, M18, M19, M20, M21, M22, M23, M24, M25)	M14 - GPH1336H41CA
61	0121G00039P	HEATER KIT COVER	M15 - GPH1336H41CB
71	20520901	CAPACITOR STRAP (M1, M2, M3, M4, M5, M6, M7, M8, M9, M10, M11, M12, M13, M14, M15, M16, M17, M18, M19, M20, M21, M22, M23, M24, M25)	M16 - GPH1342H41AB
91	0121G00040P	BLOWER SUPPORT	M17 - GPH1342H41AC
131	M0250558	TC SCREW (M1, M2, M3, M4, M5, M6, M7, M8, M9, M10, M11, M12, M13, M14, M15, M16, M17, M18, M19, M20, M21, M22, M23, M24, M25)	M18 - GPH1342H41BA
151	B1392143	GROMMET, 26TAL F/TORSIN FLEX (M1, M2, M3, M4, M5, M10, M11, M12, M13, M14, M15, M16, M17, M18, M19, M20, M21, M22, M23, M24, M25)	M19 - GPH1342H41CA
NS	C6121802	BLOWER CUT-OFF (M1, M2, M3, M4, M5, M6, M7, M8, M9)	M20 - GPH1342H41CB
NS	C6121810	BLOWER CUT-OFF (M10, M11, M12, M13, M14, M15, M16, M17, M18, M19, M20, M21, M22, M23, M24, M25)	M21 - GPH1348H41BB
NS	2964700	BLOWER CUT-OFF 11 X 8 (M26, M27, M28, M29, M30)	M22 - GPH1348H41BC
NS	B821700	CAPACITOR BOOT (M1, M2, M3, M4, M5, M6, M7, M8, M9, M10, M11, M12, M13, M14, M15, M16, M17, M18, M19, M20, M21, M22, M23, M24, M25)	M23 - GPH1348H41CA
			M24 - GPH1348H41DA
			M25 - GPH1348H41DB
			M26 - GPH1360H41BB
			M27 - GPH1360H41BC
			M28 - GPH1360H41CA
			M29 - GPH1360H41DA
			M30 - GPH1360H41DB
Image 2:			
22	0131M00425	BLOWER MOTOR (M28, M29, M30)	
22	0131M00529	BLOWER MOTOR 3/4 HP PROGRAMMED (M26, M27)	
162	0121M00038	MOTOR MOUNT BAND (M26, M27, M28, M29, M30)	
172	B1376857	MOTOR MOUNT ARM (M26, M27, M28, M29, M30)	
202	B1393800	LOCKNUT, NYLON, INSERT 1/4, 20 (M26, M27, M28, M29, M30)	
212	M0250565	TC SCREW 1.25" (M26, M27, M28, M29, M30)	
222	B1393323	MACHINE SCREW HWH 1/4-20 X 1-1/2 BZ (M26, M27, M28, M29, M30)	